

SURFACE MOUNT ZENER DIODES

N9B9F JC@H5 ; 9 F5B ; 9. 2.0 !!! 39J D95? DI@G9 DCK9F. \$ a K

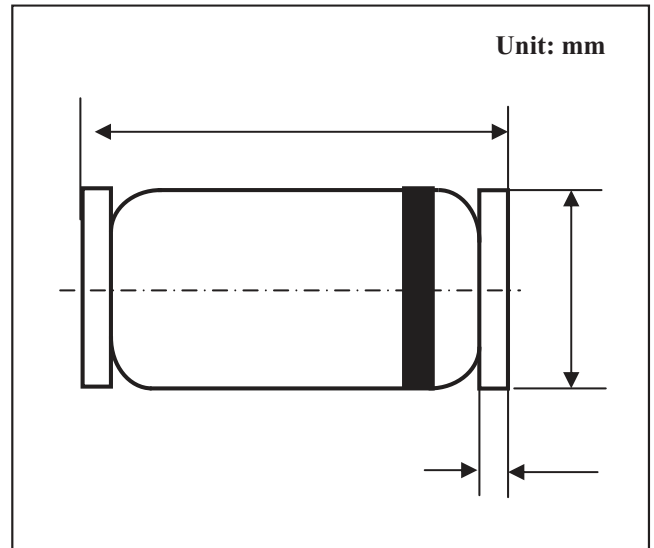
Features

- Low Reverse Leakage
- Low Zener Impedance
- High Stability

and High Reliability

Mechanical Data

- Case: LL34 Glass Case
- Polarity: Color band denotes cathode end
- Mounting Position: Any



MAXIMUM RATINGS AND CHARACTERISTICS

Ratings at 25 °C ambient temperature unless otherwise specified

Parameters	Symbol	Value	Unit
Power Dissipation	Pd	500 ¹⁾	mW
Operating junction temperature	Tj	175	
Storage temperature range	Ts	-55+175	

1) Valid provided that leads are kept at ambient temperature at a distance of 8mm from case

9 YWf] WJ GdYVZ] WWh] cb (TA=25@25°C unless otherwise specified)

TYPE	Zener Voltage			Reverse Current		Dynamic Resistance	
	Vz(V)		Test Condition	IR(Ç A)	Test Condition	rd()	Test Condition
	MIN	MAX	Iz(mA)	Max.	VR(V)	Max.	Iz(mA)
ZMM &2V0	1.80	2.15	5.0	100	1.0	85	5.0
ZMM &2V2	2.08	2.33	5.0	75	1.0	85	5.0
ZMM &2V4	2.28	2.56	5.0	50	1.0	85	5.0
ZMM &2V7	2.50	2.90	5.0	10	1.0	85	5.0
ZMM &3V0	2.80	3.20	5.0	4	1.0	85	5.0
ZMM &3V3	3.10	3.50	5.0	2	1.0	85	5.0
ZMM &3V6	3.4	3.8	5.0	2	1.0	85	5.0
ZMM &3V9	3.7	4.1	5.0	2	1.0	85	5.0
ZMM &4V3	4	4.6	5.0	1	1.0	75	5.0
ZMM &4V7	4.4	5	5.0	0.5	1.0	60	5.0
ZMM &5V1	4.8	5.4	5.0	0.1	1.0	35	5.0
ZMM &5V6	5.2	6	5.0	0.1	1.0	25	5.0
ZMM &6V2	5.8	6.6	5.0	0.1	2.0	10	5.0
ZMM &6V8	6.4	7.2	5.0	0.1	3.0	8	5.0
ZMM &7V5	7	7.9	5.0	0.1	5.0	7	5.0
ZMM &8V2	7.7	8.7	5.0	0.1	6.2	7	5.0
ZMM &9V1	8.5	9.6	5.0	0.1	6.8	10	5.0

TYPE	Zener Voltage			Reverse Current		Dynamic Resistance	
	Vz(V)		Test Condition	IR(Ç A)	Test Condition	rd()	Test Condition
	MIN	MAX	Iz(mA)	Max.	VR(V)	Max.	Iz(mA)
ZMM &10	9.4	10.6	5.0	0.1	7.5	15	5.0
ZMM &11	10.4	11.6	5.0	0.1	8.2	20	5.0
ZMM &12	11.4	12.7	5.0	0.1	9.1	20	5.0
ZMM &13	12.4	14.1	5.0	0.1	10.0	26	5.0
ZMM &14	13.3	14.7	5.0	0.1	10.0	26	5.0
ZMM &15	13.8	15.6	5.0	0.1	11.0	30	5.0
ZMM &16	15.3	17.1	5.0	0.1	12.0	40	5.0
ZMM &18	16.8	19.1	5.0	0.1	13.0	50	5.0
ZMM &20	18.8	21.2	5.0	0.1	15.0	50	5.0

Td(15.0)Tj7.22