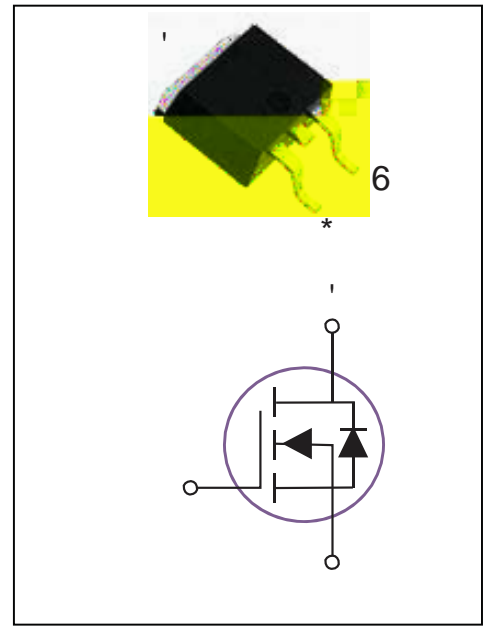


% 9'66	5'621	,'
9	Pÿ	\$



) HDWXUHV

- z 100V,12A , RDS(ON)=115m @VGS=10V
- z Improved dv/dt capability
- z Fast switching
- z 100% EAS Guaranteed
- z



9 1 &KDQQHO 0:

/'

72

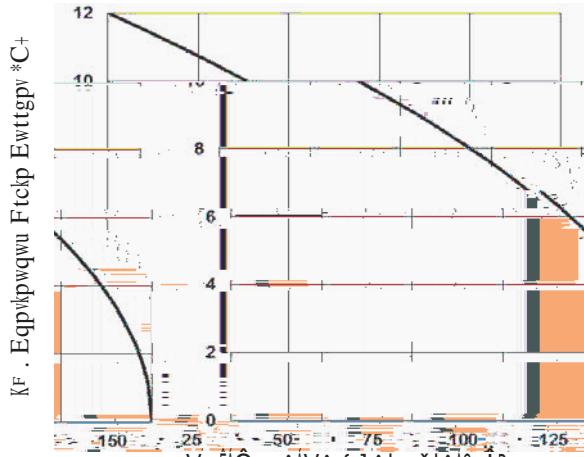
3ODVWLF (QFDSVXODWH 7UDQVLVW

3DUDPHWHU	6\PERO	&RQGLWLRQ\	0LQ	7\S	0D[8QL\
'UDLQ 6RXUFH %UHDNGRZQ 9RQW DJH 9 , X\$						9
% 9_6 7HPSHUDWXUH &RHILFL% 9_6 W 7- 5HIHUHQFH WRP\$						9
'UDLQ 6RXUFH /HDNDJH &XUUHQW	9_6	9	9_6	9	7	X\$
*DWH 6RXUFH /HDNDJH &XUUHQW	9_6	9	9_6	9	7	X\$
	9_6	s	9	9_6	9	



/'

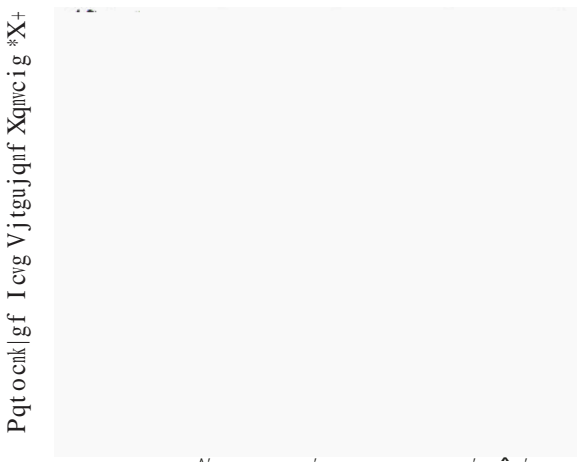
5 \$ 7 , 1 * 6 \$ 1 ' & + \$ 5 \$ & 7 (5 , 6 7 , & & 8 5 9 (6



KF . Eqpikpwquw Frcp Ewttgpy *C+
 V₀ÉÁÖæ•^AV^ {]^!æc~!^ÁÇoÎD
 :]["% 7cbh]b i c i g'8fU]b'7 i f fYbh' jg" H₇



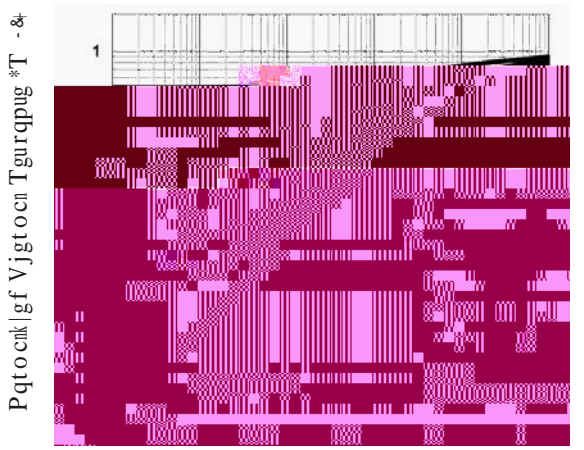
Pqt ocik|gf Qp Tgukucpeg *oΩ+
 V_RÉÁR~ } & cã [] ÁV^ {]^!æc~!^ÁÇoÎDÁ
 :]["&'BcfaU'nYX'F8GCB' jg" H₇



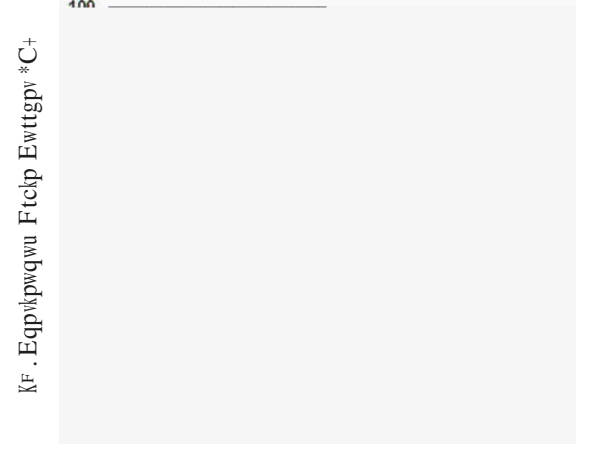
Pqt ocik|gf I c y g V j t g u j q n f X q m c i g *X+
 V_RÉÁR~ } & cã [] ÁV^ {]^!æc~!^ÁÇoÎDÁ
 :]["'BcfaU'nYX'J_h jg" H₇



X₁U . I c y g v g U q w t e g X q m c i g *X+
 Û * ÁÉÁÖæc^ÁÔ@æ! * ^ÁÇ } ÔDÁ
 :][(" ; UhY'7 \Uf [Y'KUjYZcfa



Pqt ocik|gf V j g t o c n T g u r q p u g *T -&
 Û ~ æ ! ^ Á Y æ ç ^ Á Û ~ | • ^ Á Ô ~ ! æ cã [] Á Ç • D
 :][(")' BcfaU'nYX'HfUbg]Ybh'= a dYXUBWY



KF . Eqpikpwquw Frcp Ewttgpy *C+
 X₀ÚiÉÁÖ:æã } Ác [Á Û [~ ! & ^ Á X [| cæ * ^ Á Ç X D Á
 :]["*" AUI]a i a 'GUZY'CdYfUh]cb'5fYU



/'

72 3\$&.\$*(,1)250\$7,21

